

Parts and accessories required

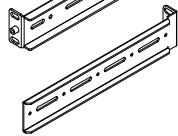
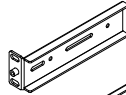
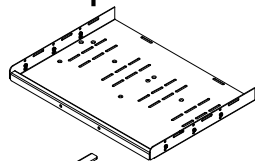
(1) Vented Drawer

(2) Front L Brackets.

(2) Rear L Brackets

(4) M4 K-Lock Nuts

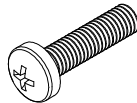
(14) M4 x 6 JIS PAN head screw



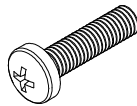
(2) Sliding Rails



(8) #10-32 x 5/8 Rack Screws

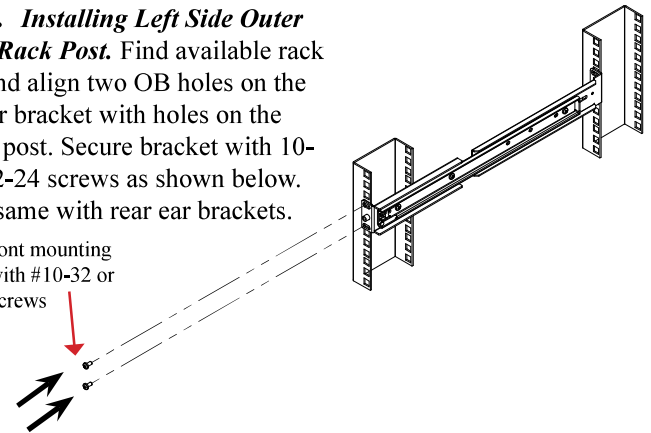


(8) #12-24 x 5/8 Rack Screws



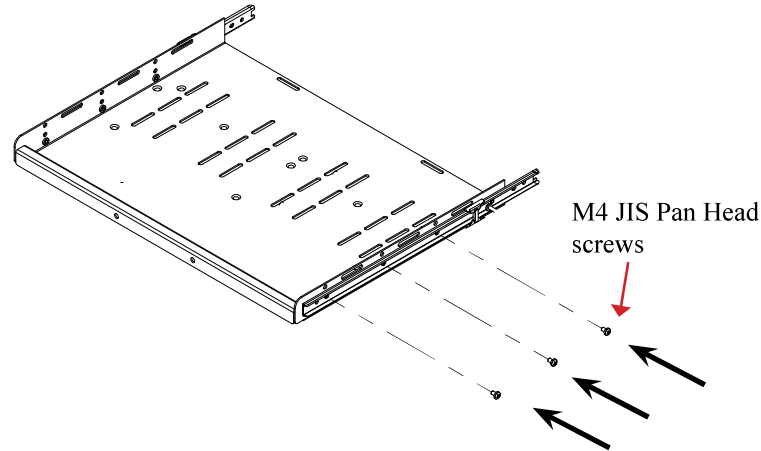
Step 3. Installing Left Side Outer Rail to Rack Post. Find available rack space and align two OB holes on the front ear bracket with holes on the vertical post. Secure bracket with 10-32 or 12-24 screws as shown below. Do the same with rear ear brackets.

Secure front mounting bracket with #10-32 or #12-24 Screws



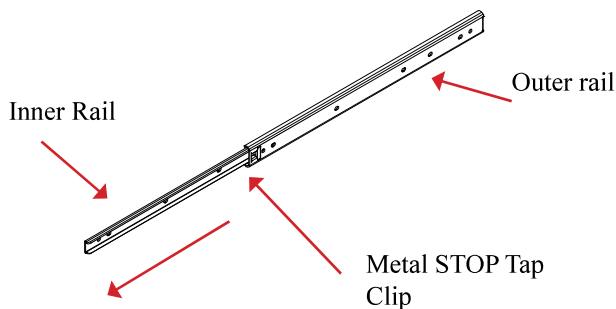
Step 4 Repeat same steps as STEP 3 for the right side sliding rail

Step 5 Install inner rail. Align 3 mounting holes on inner rail with middle row mounting holes on right side of the drawer. Secure inner rail to drawer with (3) M4 JIS Pen head screws.

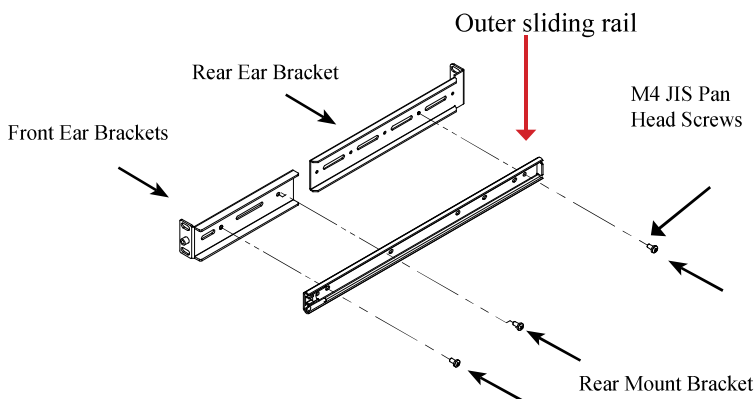


Installation Steps

Step 1 Detach the inner rail. Pull out the inner rail until it stops. Locate the metal STOP tap clip as shown below. Push and hold down the metal tap and pull the inner rail at the same time to detach the inner rail from outer rail.

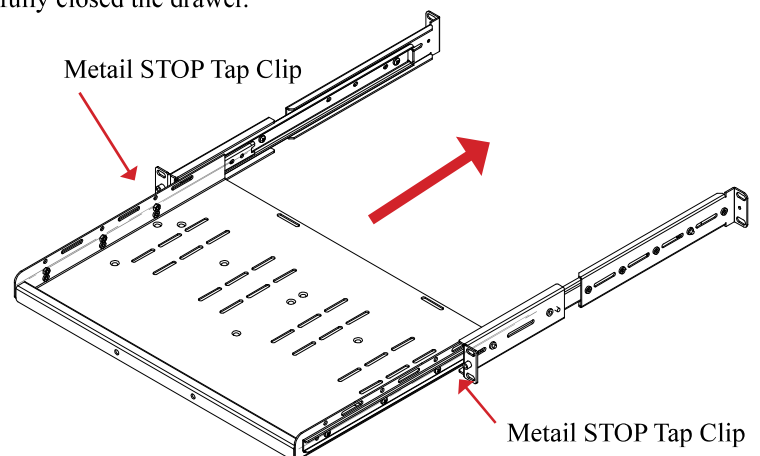


Step 2 Installing Sliding Rail Ear Brackets. Slide the rear ear bracket to desire depth. Align the first mounting hole from the right with threaded hole on the rear ear bracket. If unable to align with a threaded hole, use included K-Lock Nuts to secure M4 screw instead.



Step 6 Install left inner rail. Repeat same step as STEP 5 for the left side.

Step 7 Install drawer. Align inner rail with outer rail and push in the drawer until it stops. You might encounter some resistance when inserting the drawer. It is normal. Push in the metal on right and left side to fully closed the drawer.



Installation Complete.